

FEATURES

- Wide Bandwidth
- Low Power Consumption
- Low Noise Figure
- Miniature Sizes, Field Removable connector
- Compact/Rugged Thin-Film Construction

APPLICATIONS

- Microwave Radio & VSAT
- Military & Space
- Test Instrumentation
- Fiber Optics



ELECTRICAL SPECIFICATIONS@25°C:

Parameter	Min	Typical	Max	Units
Frequency Range	47.2		52.4	GHz
Power Gain	47			dB
Power Flatness		±3		dB
Output Power@Psat	50			Watt
Spurious		-50		dBc
Harmonic				dBc
Input VSWR			2:1	Ratio
Input voltage		20		Volt
Current		13		A

- Note:
- 1.Air forced cool.
 - 2.Over Temperature Protection; Over Voltage Protection; Over Current Protection;

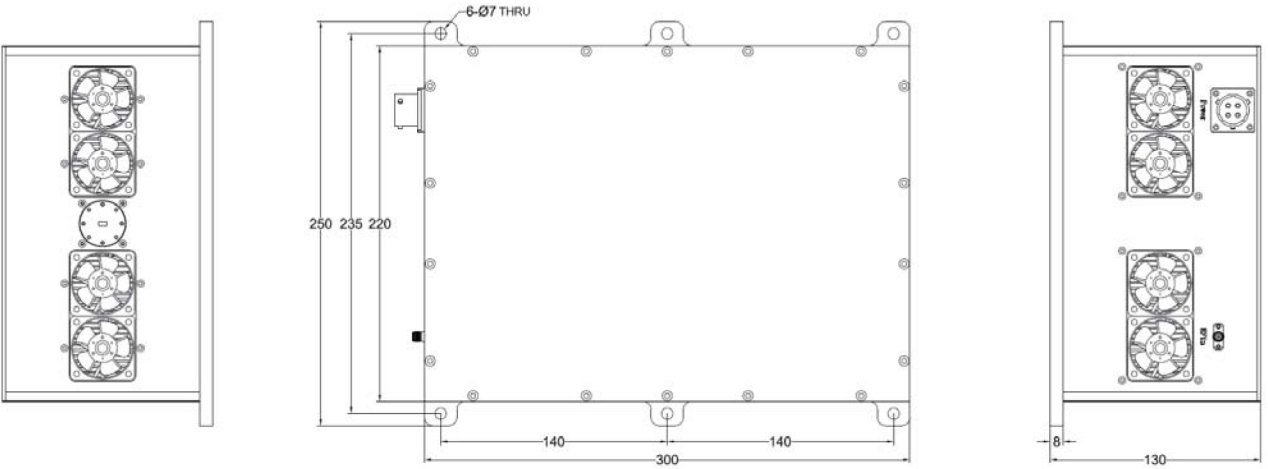
ENVIRONMENTAL RATINGS:

Parameter	Min	Typical	Max	Units
Max Input power		0	+10	dBm
Operating Temperature	-10		+40	°C
Non-operating Temperature	-55		+85	°C
Relative humidity (non-condensing)		95		%
Altitude (MIL-STD-810F)				feet
Shock / Vibration (MIL-STD-810F)				

MECHANICAL SPECIFICATIONS:

Parameter	Value	Limits	Units
Dimensions	300*250*130	Max	Milimeter
Weight	15	Max	Kg
RF Connectors Input	1.85mm-F		
RF Connectors output	WR19		
Impedance			ohms

OUTLINE DRAWING(mm):



PM171